



## LED Down Light MA Series



### IP 65

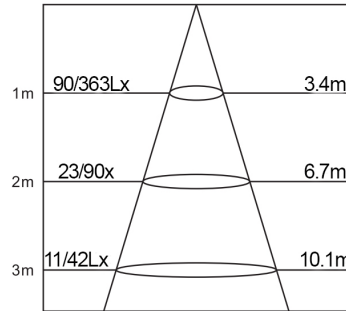
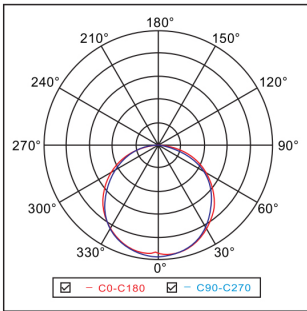
| Modell<br>Model | Leistung<br>Power | Lumen<br>Lumen | Verdunklung<br>DIM | Produktgröße<br>Product size |
|-----------------|-------------------|----------------|--------------------|------------------------------|
| LP-DL20MA01-Y   | • 20W             | 1700LM         | N                  | Ø182x48mm                    |
| LP-DL40MA01-Y   | • 40W             | 3300LM         | N                  | Ø292x56mm                    |
| LP-DL50MA01-Y   | • 50W             | 4500LM         | N                  | Ø380x60mm                    |



## LED Down Light MA Series

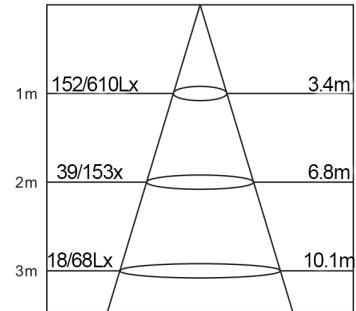
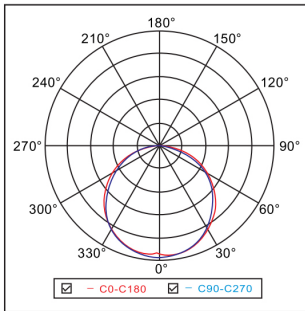


### 20W-YE 120 °



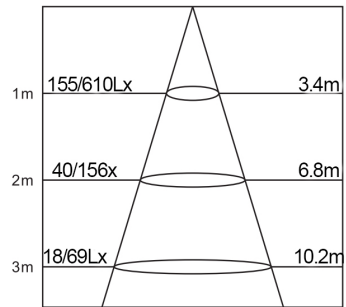
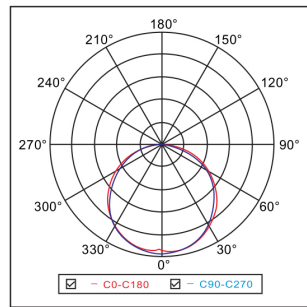
Eavg/Emax Spot Diameter

### 40W-YE 120 °



Eavg/Emax Spot Diameter

### 50W-YE 120 °



Eavg/Emax Spot Diameter

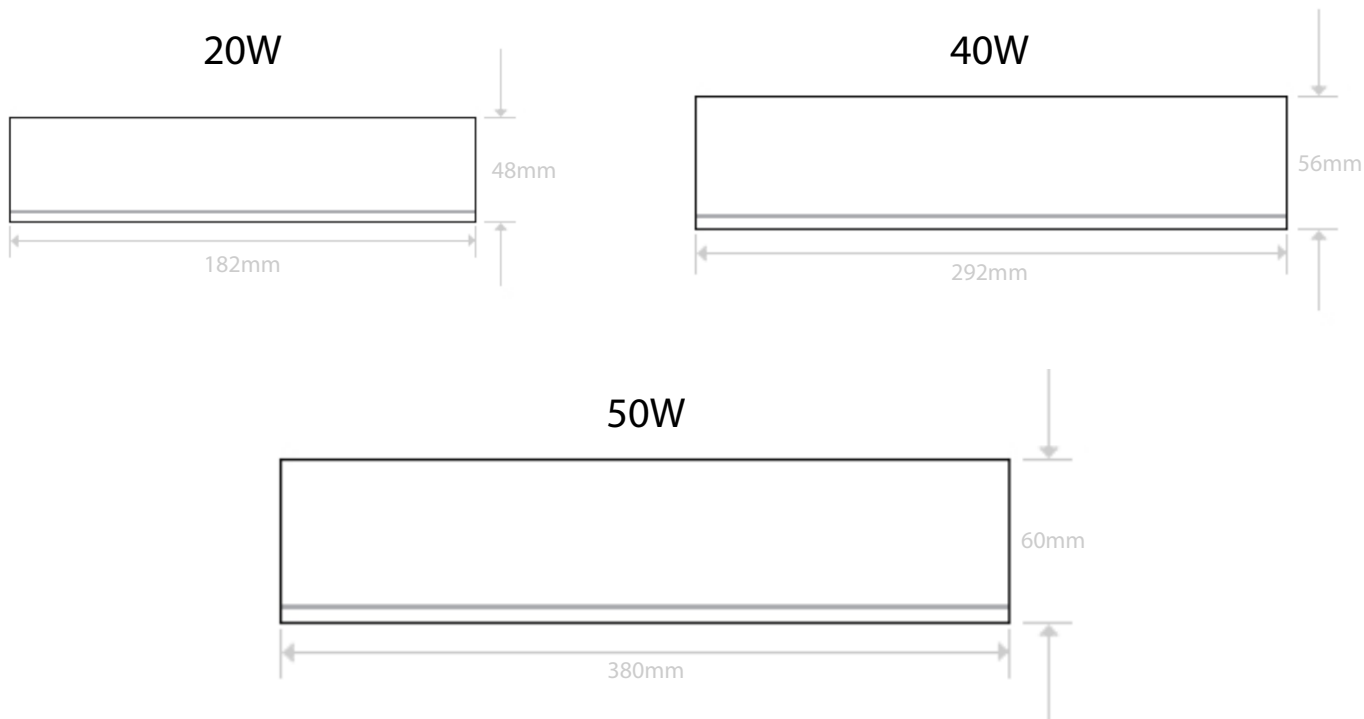
## Product Overview

|                          |                              |
|--------------------------|------------------------------|
| Energy efficiency class  | A+                           |
| PF                       | >0.5                         |
| CCT(K)                   | 3000K / 4000K / 6500K        |
| CRI(Ra)                  | >80                          |
| Voltage (V)              | 220-240 V                    |
| Lifespan (hrs)           | 30000/100000 SwitchingCycles |
| Working Temperature (°C) | -15 - 50 C                   |
| Storage Temperature (°C) | -15 - 50 C                   |

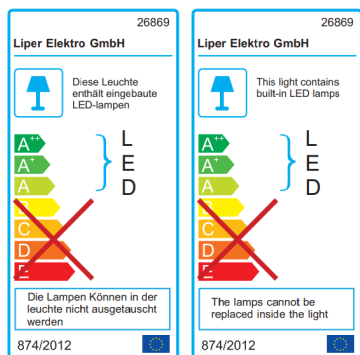


## LED Down Light MA Series

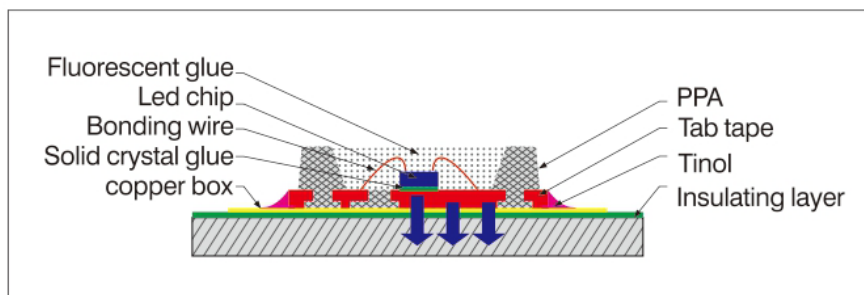
### Technical Drawings



### Energy Label



### SMD breakdown drawing





## LED Down Light MA Series

